

## DESCRIPTION

AMC MODEL SWN-1140-4DR-STANDARD OPTION: 9023F, B01-12V, HPR1W IS A REFLECTIVE SINGLE POLE FOUR THROW RADIAL SWITCH DESIGNED TO OPERATE AT A FIXED FREQUENCY OF 9.23 GHz WITH HIGH POWER OF 1 WATT HANDLING.

## SPECIFICATIONS

- FREQUENCY RANGE: ..... 9.23 GHz
- INSERTION LOSS: ..... ≤ 2.5 dB MAXIMUM
- ISOLATION: ..... 35 dB MINIMUM
- VSWR: ..... 2.0:1
- SWITCHING SPEED: ..... ≤ 1 uSec
- POWER INPUT: ..... (CW)+20 dBm (STANDARD), +10 dBm (HIGH SPEED)
- SURVIVAL POWER: ..... 1 WATT CW, 10 WATTS PEAK 1 uSec
- CONTROL: ..... TTL LOGIC "0" = ON  
TTL LOGIC "1" = OFF
- POWER SUPPLY: ..... +5V @ 200 mA MAXIMUM  
-12V @ 75 mA MAXIMUM
- CONNECTORS:  
RF: ..... SMA FEMALE  
CONTROL: ..... SOLDER PIN
- SIZE: ..... 1.25" (L) x 1.25" (W) x 0.40" (H)

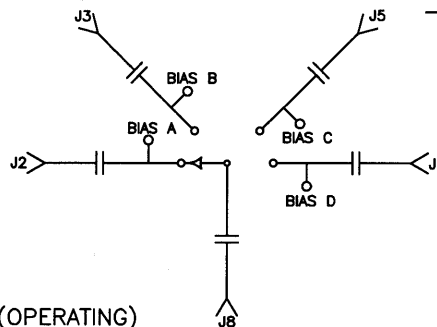
## OPTIONS:

- 9023F: ..... OPTIMIZED FOR 9.23 GHz FIXED FREQUENCY RANGE WITH ±10% BANDWIDTH
- B01-12V: ..... -12 VOLTS POWER SUPPLY
- HPR1W: ..... 1 WATT CW POWER HANDLING

## ENVIRONMENTAL RATINGS:

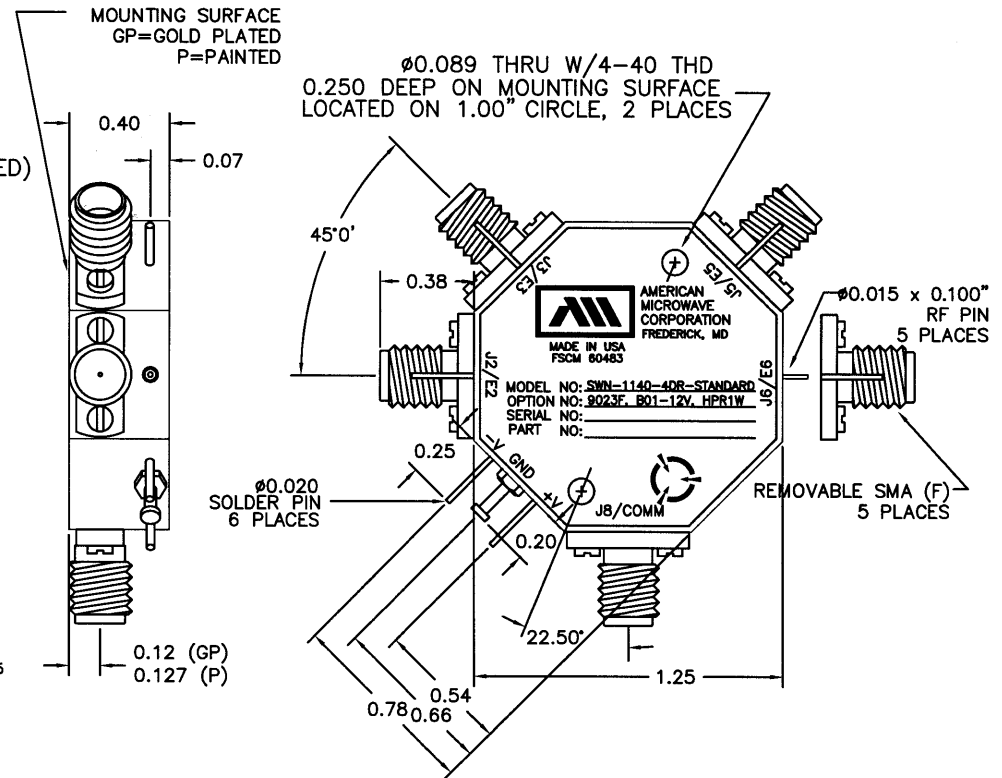
- TEMPERATURE: ..... -55°C TO +85°C (OPERATING)  
-65°C TO +125°C (STORAGE)
- HUMIDITY: ..... MIL-STD-202F, METHOD 103B COND. B
- SHOCK: ..... MIL-STD-202F, METHOD 213B COND. B
- VIBRATION: ..... MIL-STD-202F, METHOD 204D COND. B
- ALTITUDE: ..... MIL-STD-202F, METHOD 105C COND. B
- TEMPERATURE CYCLE: ..... MIL-STD-202F, METHOD 107D COND. A

NOTE: SPECIFICATIONS WILL VARY OVER OPERATING TEMPERATURE  
NOTE: THE ABOVE SPECIFICATIONS ARE SUBJECT TO CHANGE OR REVISION



ALL DIMENSIONS ARE IN INCHES  
TOLERANCES:  
X.XX ±0.020  
X.XXX ±0.010

ZONE		REVISIONS		DATE	APPROVED
	REV.	DESCRIPTION			
	-	ORIGINAL RELEASE	JOB# 412302N	2/1/05	



## AMERICAN MICROWAVE CORPORATION

7311-G GROVE ROAD  
FREDERICK, MARYLAND 21704 USA  
TEL: 301-662-4700 FAX: 301-662-4938  
WEBSITE: [www.americanmicrowavecorp.com](http://www.americanmicrowavecorp.com)  
E-MAIL: [sales@americanmicrowavecorp.com](mailto:sales@americanmicrowavecorp.com)  
ISO 9001:2000 CERTIFIED

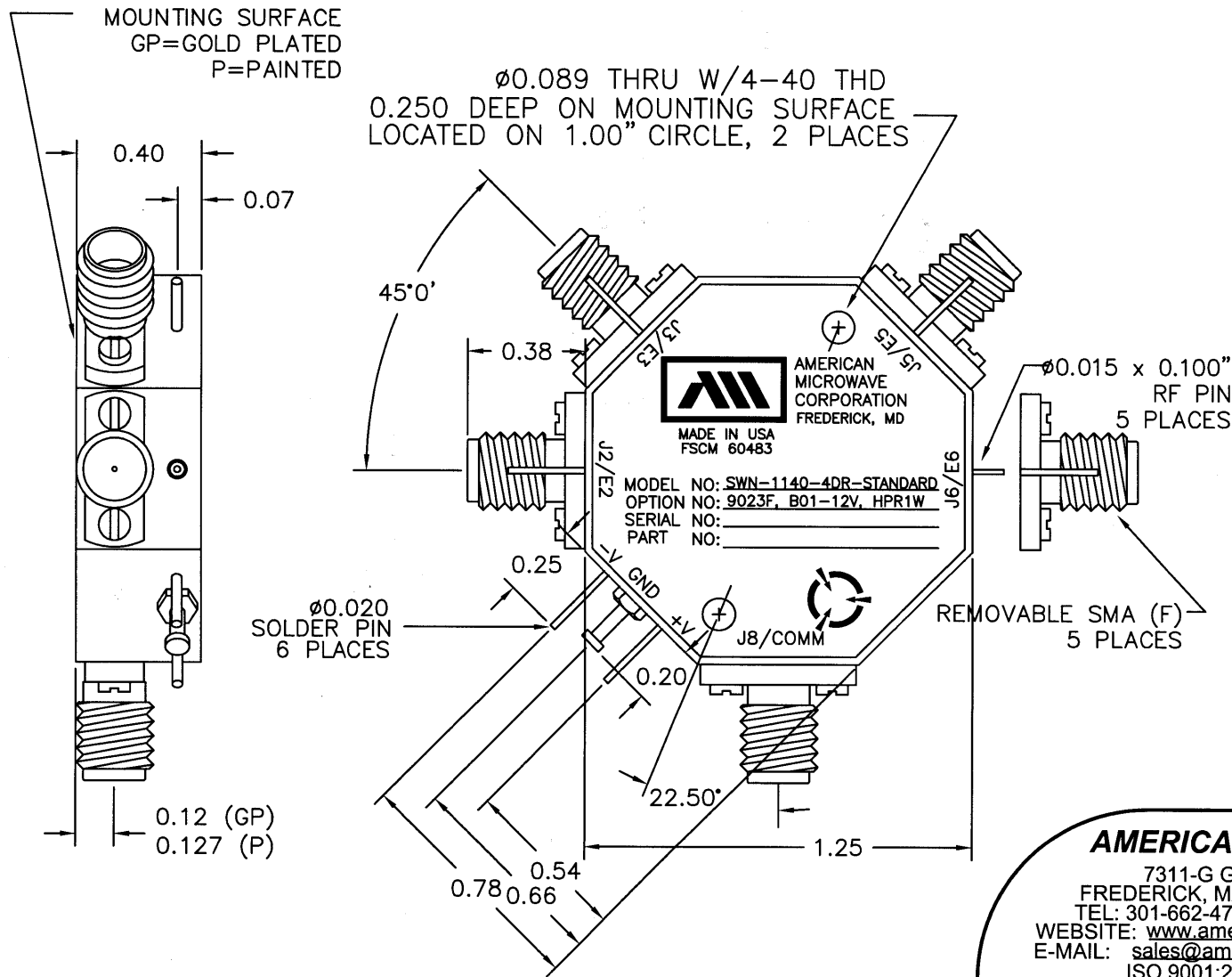


APPROVALS		DATE	TITLE		
DRAWN <i>JDJ</i>		2/1/05	PRODUCT FEATURE SWN-1140-4DR-STANDARD OPTION: 9023F, B01-12V, HPR1W 9.23 GHz, SINGLE POLE FOUR THROW SWITCH		
CHECKED			SIZE A	FSCM NO. 60483	DWG NO. 100-7323
ISSUED					REV. -
SCALE N:S				SHEET 1 OF 3	

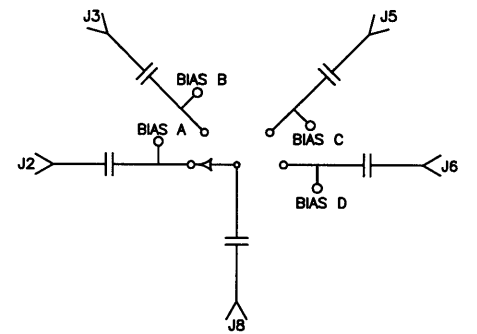
# DESCRIPTION

AMC MODEL SWN-1140-4DR-STANDARD OPTION: 9023F, B01-12V, HPR1W IS A REFLECTIVE SINGLE POLE FOUR THROW RADIAL SWITCH DESIGNED TO OPERATE AT A FIXED FREQUENCY OF 9.23 GHz WITH HIGH POWER OF 1 WATT HANDLING.

REVISIONS				
ZONE	REV.	DESCRIPTION	DATE	APPROVED
	-	ORIGINAL RELEASE JOB# 412302N	2/1/05	



# MECHANICAL OUTLINE



## AMERICAN MICROWAVE CORPORATION

7311-G GROVE ROAD  
FREDERICK, MARYLAND 21704 USA  
TEL: 301-662-4700 FAX: 301-662-4938  
WEBSITE: [www.americanmicrowavecorp.com](http://www.americanmicrowavecorp.com)  
E-MAIL: [sales@americanmicrowavecorp.com](mailto:sales@americanmicrowavecorp.com)  
ISO 9001:2000 CERTIFIED



ALL DIMENSIONS ARE IN INCHES  
TOLERANCES:  
X.XX ±0.020  
X.XXX ±0.010

APPROVALS		DATE	TITLE		
DRAWN <i>JDJ</i>		2/1/05	MECHANICAL OUTLINE SWN-1140-4DR-STANDARD OPTION: 9023F, B01-12V, HPR1W 9.23 GHz, SINGLE POLE FOUR THROW SWITCH		
CHECKED			SIZE A	FSCM NO. 60483	DWG NO. 100-7323
ISSUED			SCALE N:S	SHEET 2 OF 3	REV. -